

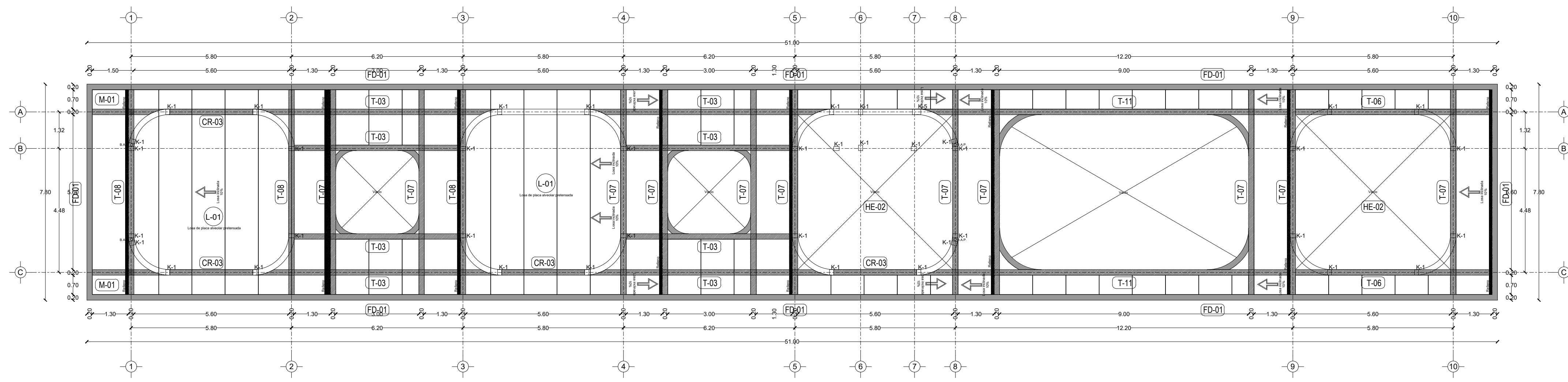
Centro de Rehabilitación Zooterapéutico Veracruz

Igartua Martínez, Diego

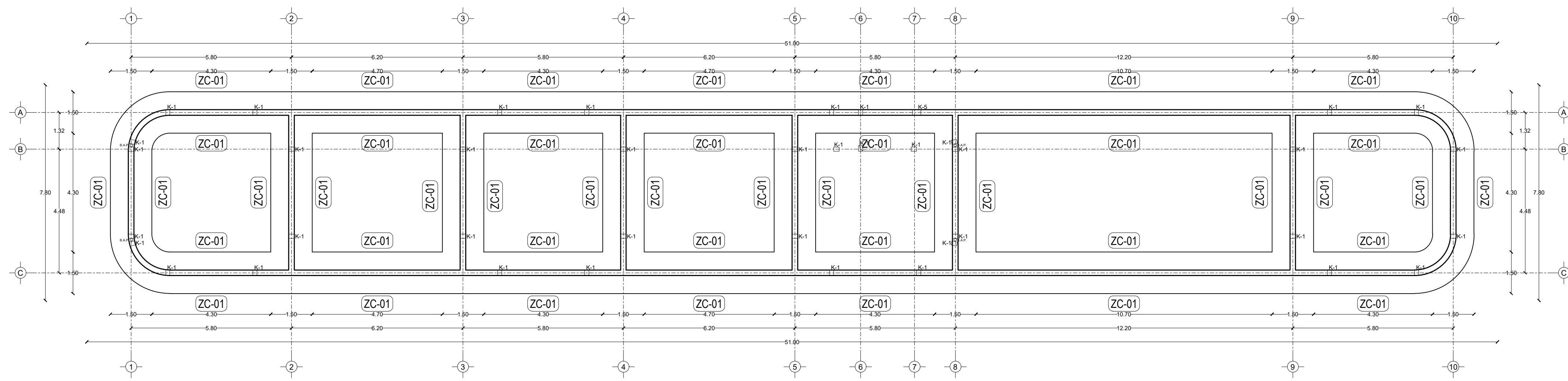
2021-05-06

<https://hdl.handle.net/20.500.11777/5671>

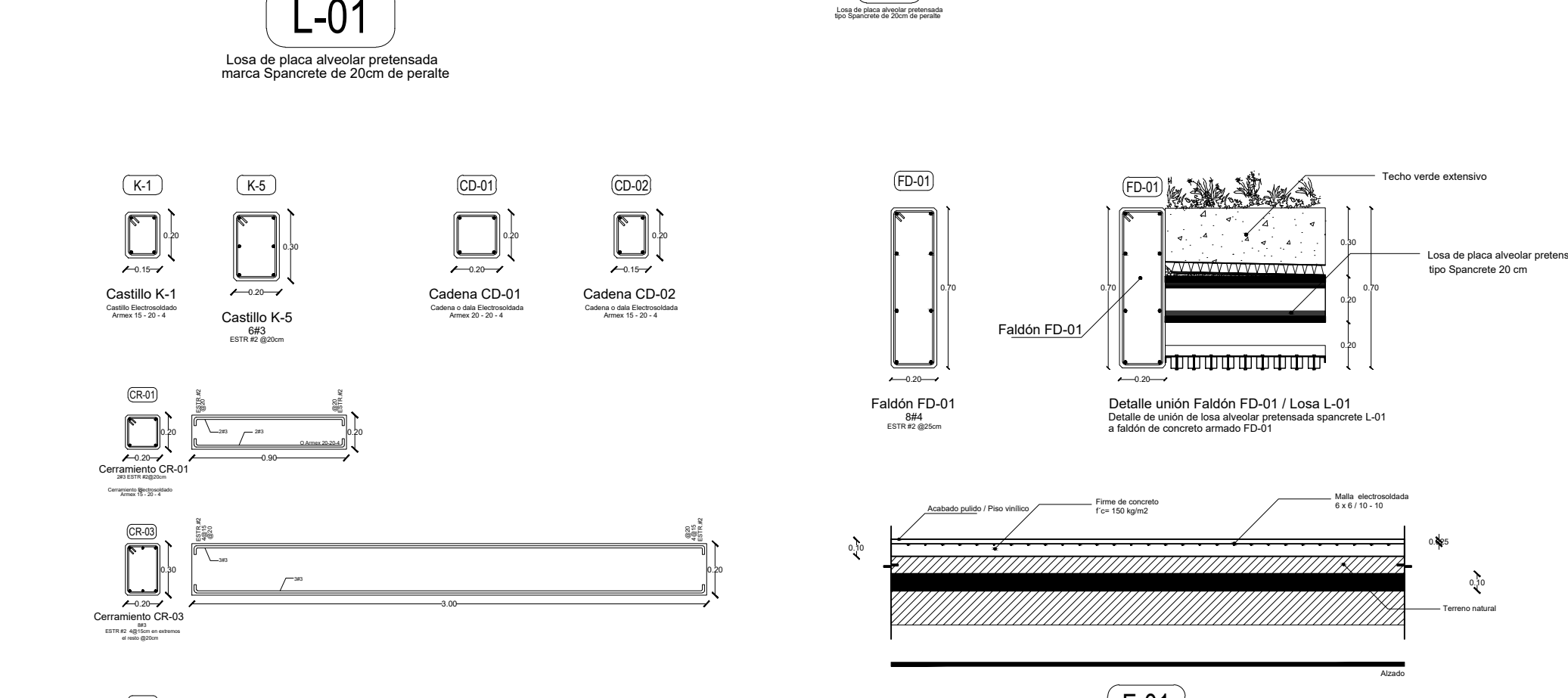
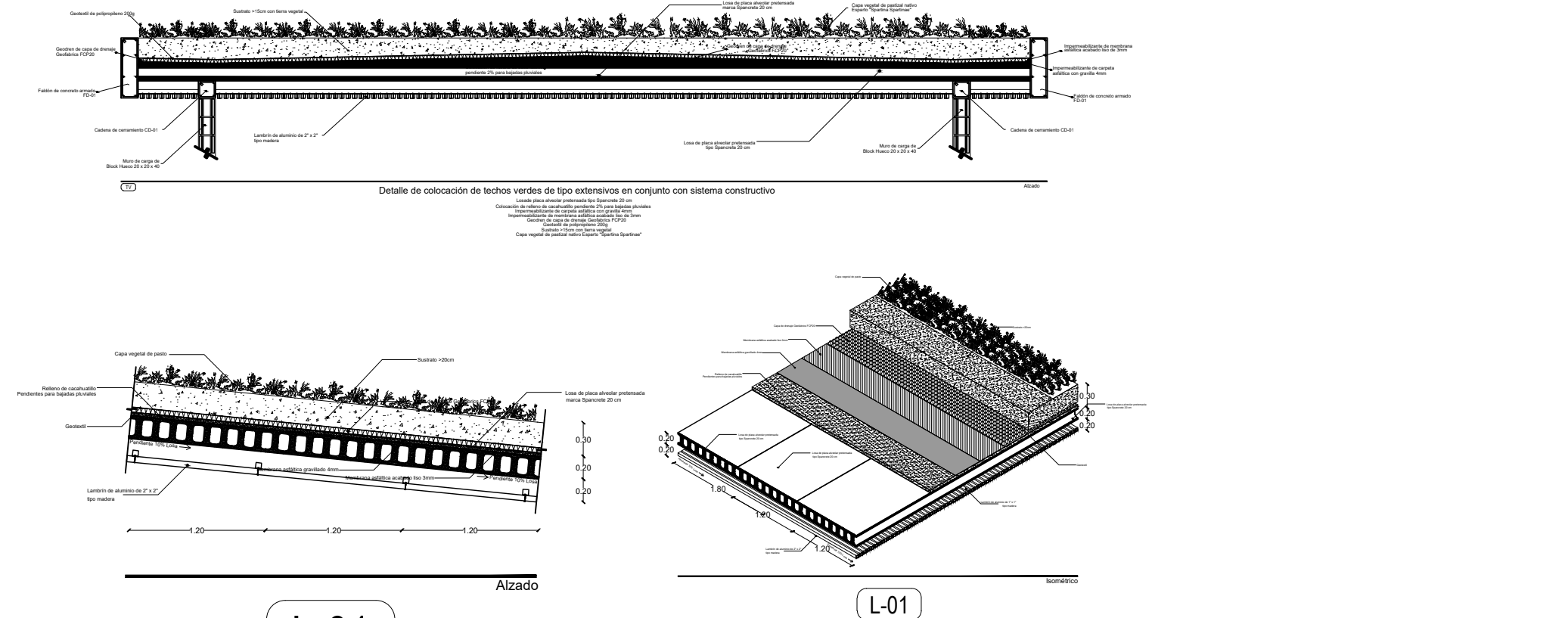
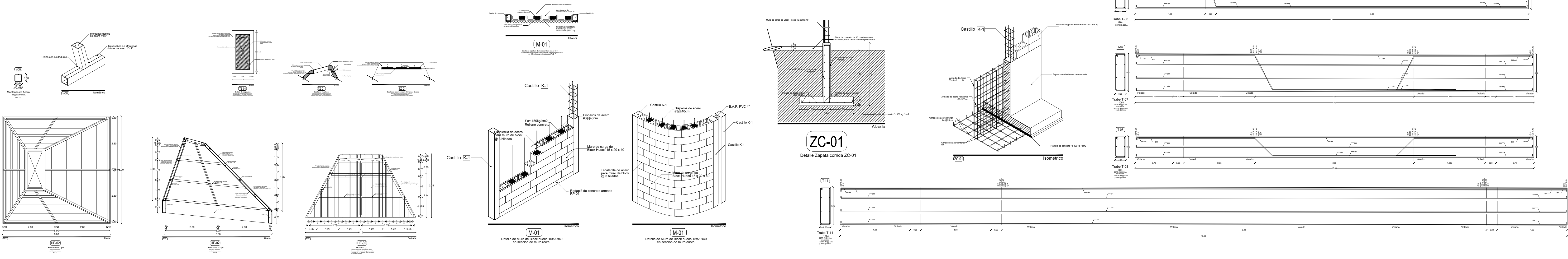
<http://repositorio.iberopuebla.mx/licencia.pdf>



Planta estructural de losa



Planta de cimentación



C.Z.M.
Centro de Zooterapia el Manglar
"Sanación con la Naturaleza"
Boca del Río, Veracruz.

SYMBOLOLOGY (SIMBOLOGIA) table with columns for symbols and their descriptions, including structural elements like beams, walls, slabs, and columns.

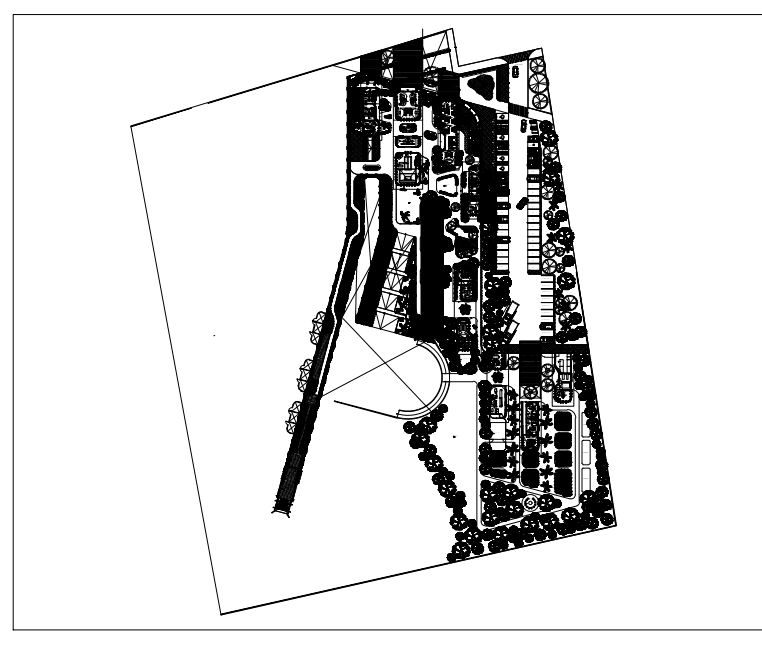
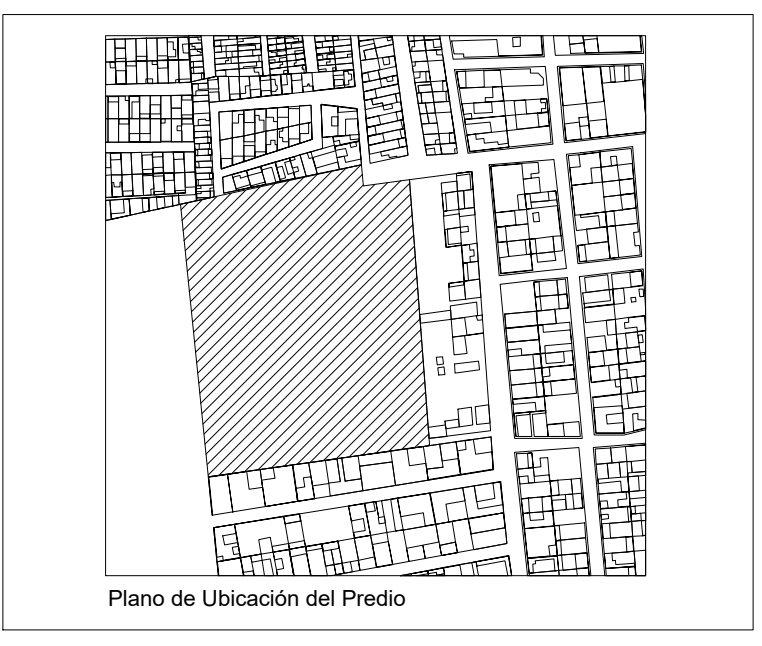


Table of areas (TABLA DE AREAS GENERAL) with columns for area type, total area, and percentage. Includes categories like physiotherapy, free area, and ecological recovery.



Project information table (PROYECTO, USO, UBICACIÓN, DIBUJO, PROP., TEL. PROP., FECHA) detailing the center of zooterapy and its location.

North arrow, scale (Esc 1:100), drawing title (EST-05 PLANO FISIOTERAPIA Y GATOTERAPIA), and drawing author (DIEGO IGARTUA MARTINEZ).